

Planofit



Note

Can be used vertically or horizontally
Not suitable for hard wood!

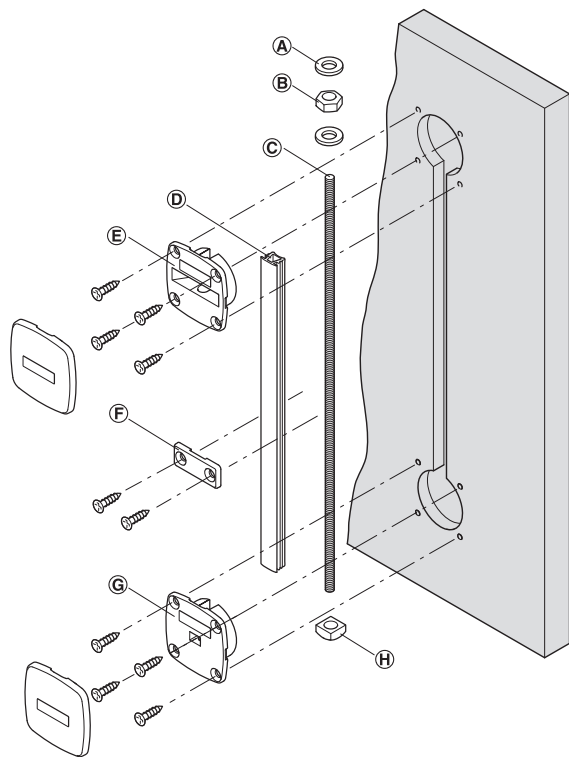
- Area of application: Prevents doors distorting in either direction or straightens doors which have become distorted
- Max. door height (mm): 2400 or 2650
- Door thickness (mm): min. 16
- Material: Threaded rod: steel, Clamping piece: zinc die casting, cover rail, caps and plate: plastic
- Surface/ Colour: Threaded rod: blank, Clamping piece: bright, cover rail, caps and plate: black
- Installation: Can also be retrofitted for doors which have become distorted, 2 straightening fittings recommended per door, installed at 25% and 75% x door width

Sliding and Folding Door Fittings



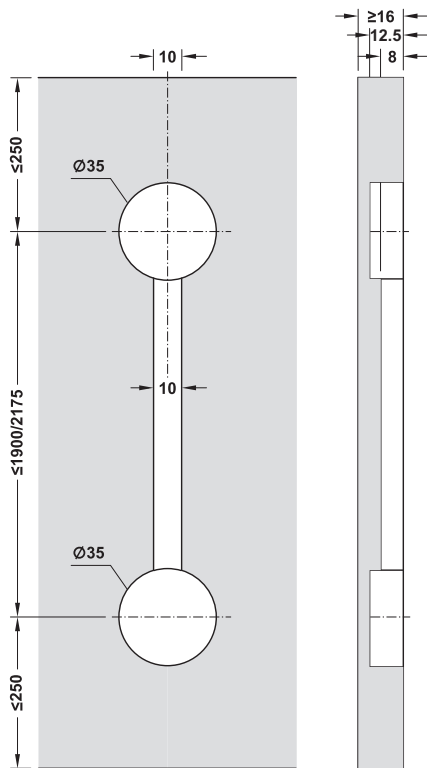
11

Assembly



- (A) Lock washer
- (B) Hexagon nut
- (C) Threaded rod
- (D) Cover rail
- (E) Upper clamping piece
- (F) Securing plate
- (G) Lower clamping piece
- (H) Square nut

Drill pattern



Dimensions in mm Dimensional data not binding. We reserve the right to alter specifications without notice

Set small package

Delivery

Planofit straightening system (1 set)

- 1 Threaded rod
- 1 Cover rail
- 2 Clamping pieces
- 1 Hex nut
- 1 Square nut
- 2 Cover caps
- 4 Securing plates, plastic
- 2 Washers

Door height (mm)	Length of threaded rod (mm)	Cover rail length (mm)	Black
Max. 2400	1920	1863	407.90.200
Max. 2650	2195	2138	407.90.201

Packing: 2 sets

Cover cap



- Application: For covering the pots
- Material: Plastic

	Black
Cap	407.90.241

Packing: 1 or 100 pieces

Securing plate



- Application: To secure the threaded rod with cover
- Material: Plastic
- Assembly: For screws

	Black
Plate	407.90.250

Packing: 1 or 200 pieces

Dimensions in mm Dimensional data not binding. We reserve the right to alter specifications without notice

Sliding and Folding Door Fittings

